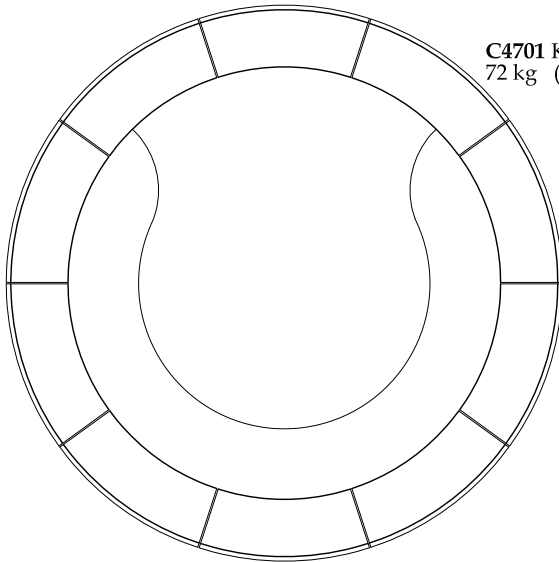
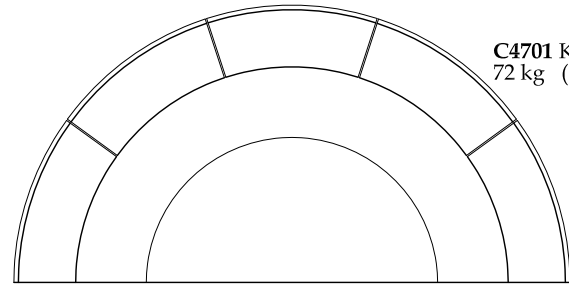


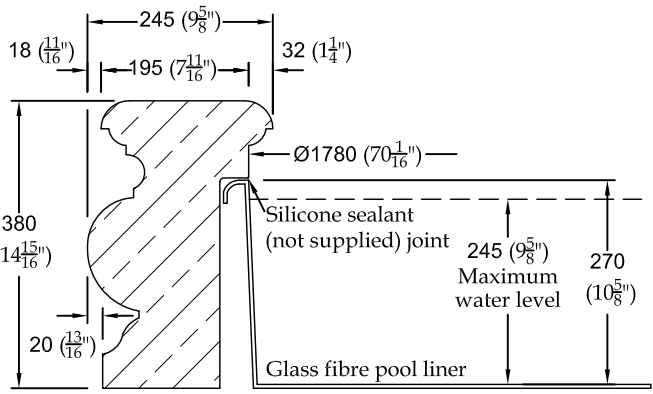
ROMAN POOL SURROUND SMALL POOL C470S AND HALF SMALL POOL C470HS



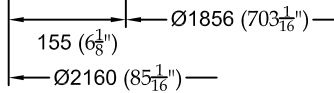
C4701 KERB
72 kg (159 lbs)



C4701 KERB
72 kg (159 lbs)

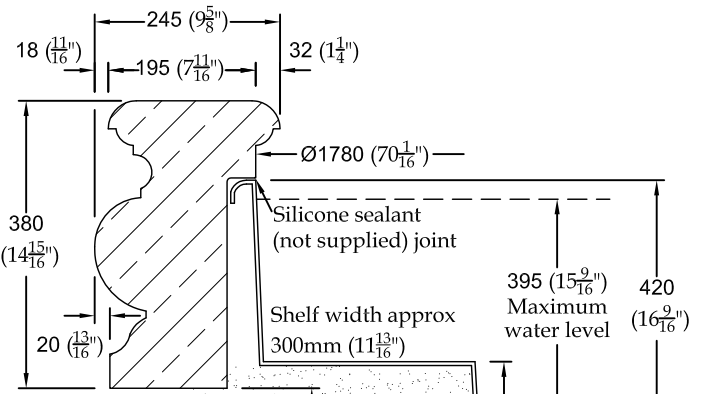


SHALLOW POOL LINER



Liner capacity to maximum water level:
Small pool: 680 Litres (180 US gallons)
Half pool: 340 Litres (90 US gallons)

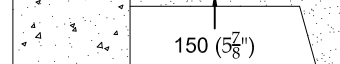
POOL LINER CODES:
X400 Small pool
X410 Half small pool
X430 Small pool (shallow)
X425 Half small pool (shallow)



Concrete foundation
100mm (3 15/16 inches) minimum

Hardcore 150mm
(5 7/8 inches) minimum

Sand bed as shown 50mm (2 inches) minimum



Liner capacity to maximum water level:
Small pool: 910 Litres (240 US gallons)
Half pool: 425 Litres (112 US gallons)

Unless otherwise stated, all materials other than stonework to be supplied by others